

# STC-1005/1205/1505 Smart Touch Computer



## Features

- Intel® Atom™ Processor E3845, quad-core
- 10.4"/12.1"/15" 4:3 TFT-LCD display with 1024 x 768 resolution
- 5-wire resistive touch sensor and optional projected capacitive sensor
- IP65 rated front bezel for water and dust protection
- Built-in Wi-Fi, Bluetooth and webcam functions

## Specifications

### Display

Display Size	10.4"/12.1"/15", 4:3 aspect ratio
Resolution	1024 x 768
Brightness	10.4": 500 nits (w/o touch sensor installed) 12.1": 500 nits (w/o touch sensor installed) 15": 400 nits (w/o touch sensor installed)
Contrast Ratio	10.4": 1000:1 12.1": 700:1 15": 700:1
View Angle (U/D/R/L)	10.4": 88/88/88/88 12.1": 70/70/80/80 15": 70/70/80/80
Touch screen	5-wire resistive touch sensor full-flat design, USB interface Projected capacitive, touch (PCT) full-flat design, USB interface (optional)

### Motherboard and System Components

Processor	Intel® Atom™ Processor E3845, quad-core, 1.91GHz
Main Memory	2GB DDR3L soldered onboard
Storage Drive	1x Half Slim SATA external slot (STC-1005) 1x 2.5" SATA external slot (STC-1205/1505) 1x SD card slot (external)
Graphic	Intel® HD Graphics
I/O Ports	1x USB 2.0, Type A 1x USB 3.0, Type A 2x GbE, RJ-45 2x COM ports, RS-232, Tx/Rx only 1x HDMI port 1x SD card slot 1x 2-pin DC power input, 9-24V DC
Expansion Slots	1 Mini PCIe slot full-size (Wi-Fi module installed) 1x ADLINK proprietary slot for extended I/O board
Webcam	2.0M pixel
Wi-Fi and Bluetooth	802.11 b/g/n and Bluetooth 4.0 Mini PCIe module card (half size)
Operating Systems	Windows Embedded Standard 7 (pre-installed) Windows Embedded Standard 8 (optional)

### Physical Characteristics

Construction	Aluminum front bezel and chassis
Weight	STC-1005 (10.4"), 2.5 kg STC-1205 (12.1"), 4.5 kg STC-1505 (15"), 6 kg
Dimensions (HxWxD)	STC-1005 (10.4"), 285 x 229 x 44.3 mm STC-1205 (12.1"), 325 x 263.6 x 44.3 mm STC-1505 (15"), 390 x 310.5 x 48.2 mm
Mounting Options	VESA mount, MIS-D 75 mm Panel mount

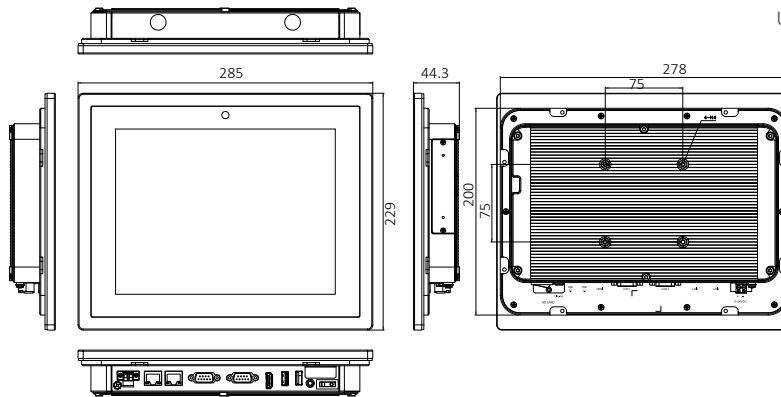
### Working Environment

Operating Temperature	-20°C to 60°C (SSD) 0°C to 50°C (HDD)
Storage Temperature	-20°C to 60°C
Relative Humidity	10% to 90 % @ 40°C (non-condensing)
Vibration Operating	1G random 5 to 500Hz
Shock Operating	10G acceleration, 11ms
Ingress Rating	IP65 front bezel
Certifications	CE, FCC, CB (IEC 60950-1)
Input Voltage	9-24V DC
Power Consumption	STC-1005, 30W STC-1205, 32W STC-1505, 34W

## Dimensions

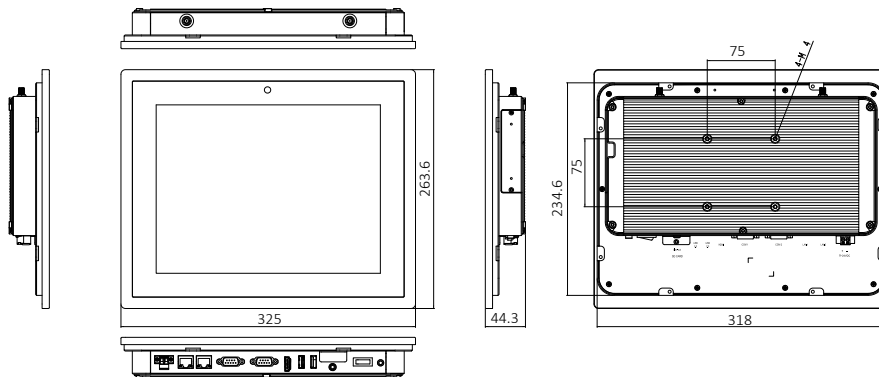
STC-1005

Units: mm



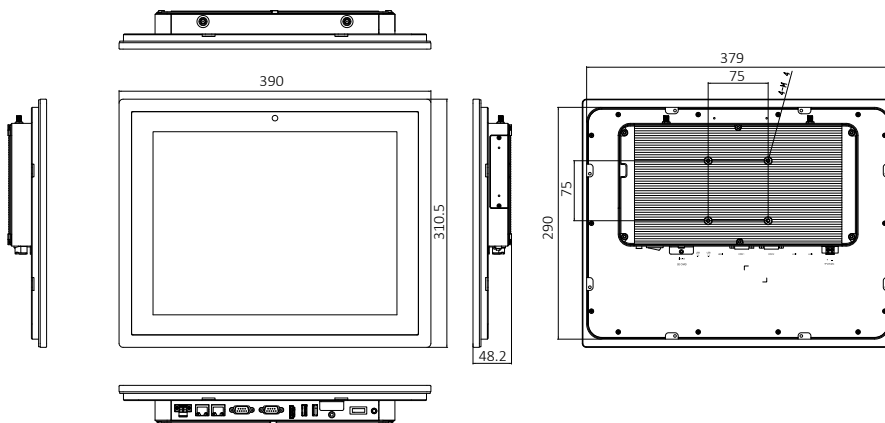
STC-1205

Units: mm



STC-1505

Units: mm



## Ordering Information

Model Number	Description	Model Number	Description
STC-1005-4R	10.4" 1024x768, 500cd/m2, Intel® Atom™ E3845, quad-core, 2GB DDR3L, resistive touchscreen, 19VDC power adapter, 32GB SSD, built-in 802.11 b/g/n Wi-Fi and Bluetooth, WES7	STC-1205-4P	12.1" 1024x768, 500cd/m2, Intel® Atom™ E3845, quad-core, 2GB DDR3L, projected capacitive touch screen, 19VDC power adapter, 32GB SSD, built-in 802.11 b/g/n Wi-Fi and Bluetooth, WES7
STC-1005-4P	10.4" 1024x768, 500cd/m2, Intel® Atom™ E3845, quad-core, 2GB DDR3L, projected capacitive touch screen, 19VDC power adapter, 32GB SSD, built-in 802.11 b/g/n Wi-Fi and Bluetooth, WES7	STC-1505-4R	15" 1024x768, 400cd/m2, Intel® Atom™ E3845, quad-core, 2 GB DDR3L, resistive touchscreen, 19VDC power adapter, 32GB SSD, built-in 802.11 b/g/n Wi-Fi and Bluetooth, WES7
STC-1205-4R	12.1" 1024x768, 500cd/m2, Intel® Atom™ E3845, quad-core, 2GB DDR3L, resistive touchscreen, 19VDC power adapter, 32GB SSD, built-in 802.11 b/g/n Wi-Fi and Bluetooth, WES7	STC-1505-4P	15" 1024x768, 400cd/m2, Intel® Atom™ E3845, quad-core, 2GB DDR3L, projected capacitive touch screen, 19VDC power adapter, 32GB SSD, built-in 802.11 b/g/n Wi-Fi and Bluetooth, WES7

Note: All specifications are subject to change without further notice.