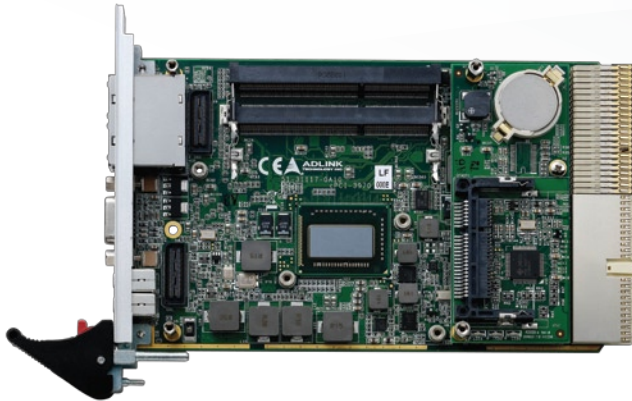


# cPCI-3971 Series

3U CompactPCI® PlusIO 2nd Generation  
Intel® Core™ i7 Processor with ECC

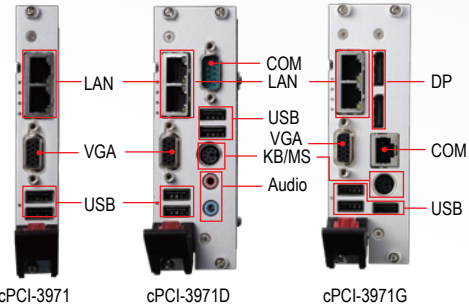


**CompactPCI®**



## Features

- 2nd generation Intel® Core™ i7 quad/dual-core processor
- Supports DDR3-1333 SDRAM with ECC via SODIMM, up to 16GB
- Supports IPMI for system health monitoring
- Onboard CF or CFast slot
- 1PCI33/4PCIE2.5/3SATA3/3USB2/2ETH1G



## Specifications

### Processor & System

CPU	<p>μFC-BGA Intel® Core™ i7-2715QE Processor 2.1GHz (Turbo boost to 3.0GHz), 6MB LLC cache, 45W TDP</p> <p>μFC-BGA Intel® Core™ i7-2655LE Processor 2.2GHz (Turbo boost to 2.9GHz), 4MB LLC cache, 25W TDP</p> <p>μFC-BGA Intel® Core™ i7-2610UE Processor 1.5GHz (Turbo boost to 2.4GHz), 4MB LLC cache, 17W TDP</p> <p>Supports Intel® Hyper-Threading and Turbo Boost Technology</p>
Chipset	Intel® QM67 PCH
Memory	Dual channel DDR3-1067/1333 SDRAM with ECC via two SODIMM sockets, up to 16GB capacity (dependent on availability of memory modules)
BIOS	AMI® EFI BIOS, 64Mbit SPI flash memory
CompactPCI Bus	PCI 32-bit/33 MHz, 3.3V or 5V universal V(I/O)
	Supports operation in system slot as master or in peripheral slot as stand-alone blade without connectivity to CompactPCI bus (Satellite mode)
PICMG Standards	<p>PICMG 2.0 CompactPCI R3.0</p> <p>PICMG 2.1 Hot Swap R2.0</p> <p>PICMG 2.9 System Management R1.0</p> <p>PICMG 2.30 PlusIO</p>

### Connectivity

PMC/XMC	One optional PCI 32-bit/66 MHz PMC site or PCI-Express x1 XMC site on 2nd or 3rd layer
Ethernet	Two PCIe Intel® 82574L Gigabit Ethernet controllers on SBC for two 10/100/1000BASE-T ports on front panel, switchable to J2
Graphics	<p>Integrated in Intel® processor, 3D engine</p> <p>DB-15 VGA port on front panel, switchable to rear, supports up to QXGA 2048x1536 pixels @75Hz, 32-bits</p> <p>Two DisplayPorts on front panel, support up to 2560x1600 pixels @60Hz; DVI, VGA and HDMI interfaces available by adapter cable (cPCI-3971G only)</p> <p>Dual independent display</p>
Serial Port	<p>One RS-232/422/485 port on front panel</p> <p>One RS-232/422/485 10-pin header on DB-3970L2</p>
PS/2	Front panel PS/2 Keyboard Mouse port (8/12 HP version only)
USB	<p>Up to four USB 2.0 front panel ports</p> <p>Three USB 2.0 ports to J2</p>
Audio	Line-in and Line-out ports on front panel (cPCI-3971D/P only)
PCI-Express	PCI-Express x4 to J2

### Storage

SBC	<p>One SATA 6 Gb/s direct connector for 2.5" onboard HDD (8HP &amp; 12HP version only)</p> <p>CompactFlash socket</p> <p>Optional CFast socket (site shared with CF adapter board)</p>
RTM	<p>Three SATA 3Gb/s ports to J2</p> <p>Supports SATA RAID 0/1/5/10</p>

### Operating System

OS	<p>Microsoft Windows® XP Professional</p> <p>Microsoft Windows® 7, 64bit version</p> <p>Red Hat Enterprise Linux 6</p> <p>Fedora™ 14</p> <p>Wind River VxWorks 6.8, 6.9</p> <p>(Please contact ADLINK for other OS support)</p>
----	---------------------------------------------------------------------------------------------------------------------------------------------------------------------------------------------------------------------------------

### Miscellaneous

LED	Power (green/red), WDT (amber), HDD (blue), Overheat (red)
Battery	Coin cell lithium battery onboard for RTC CMOS RAM
Watchdog Timer	System Reset and NMI, with programmable interval, 1-65535 sec or 1-65535 minutes
Hardware Monitor	Monitors CPU temperature, system temperature, and DC voltages by IPMI
TPM	Infineon SLB 9635 TT1.2 (optional, support upon request)

### Mechanical & Environmental

Form Factor	3U 4HP/8HP/12HP CompactPCI												
	100mm x 160mm (LxW)												
	Equipped with UHM J2 connector for full PICMG 2.30 compatibility												
Operating Temperature	0°C to 60°C												
	-20°C to 70°C extended temperature (cPCI-ET3971, CPUs with TDP 25W or lower)												
Storage Temperature	-40°C to 85°C												
Rel. Humidity	95% non-condensing												
Shock	20G peak-to-peak, 11ms duration, non-operating												
Vibration	2 Grms random vibration, 5-500Hz, each axis, operating												
Power Consumption	Core i7-2655LE, 4GB DDR3-1333 SODIMM under Windows XP with 100% CPU loading												
	<table border="1"> <thead> <tr> <th></th> <th>Current (A)</th> <th>Power (W)</th> </tr> </thead> <tbody> <tr> <td>3.3V</td> <td>0.71</td> <td>2.3</td> </tr> <tr> <td>5V</td> <td>6.97</td> <td>34.9</td> </tr> <tr> <td>Total</td> <td></td> <td>37.2</td> </tr> </tbody> </table>		Current (A)	Power (W)	3.3V	0.71	2.3	5V	6.97	34.9	Total		37.2
	Current (A)	Power (W)											
3.3V	0.71	2.3											
5V	6.97	34.9											
Total		37.2											
Weight	Net weight 389g with heatsink												
Certifications	CE/ FCC												

## I/O Table

		GbE	USB 2.0	COM	VGA	DP	PS/2 KB/MS	SATA	CF	CFast	Line-in	Line-out	PMC/XMC
cPCI-3971 (4HP)	Faceplate	2	2		1								
	Onboard								1	optional <sup>(1)</sup>			
cPCI-3971D (8HP)	Faceplate	2	4	1	1		1				1	1	
	Onboard							1 (for 2.5" HDD)	1	optional <sup>(1)</sup>			
cPCI-3971G (8HP)	Faceplate	2	3	1 (RJ-45)	1	2	1						
	Onboard			1 (10-pin)				1 (for 2.5" HDD)	1	optional <sup>(1)</sup>			
cPCI-3971P (12HP)	Faceplate	2	4	1	1		1				1	1	
	Onboard							1 (for 2.5" HDD)	1	optional <sup>(1)</sup>			1
cPCI-3971U (12HP)	Faceplate	2	3	1 (RJ-45)	1	2	1						
	Onboard			1 (10-pin)				1 (for 2.5" HDD)		optional <sup>(1)</sup>			1

(1) Available by replacing CF socket adapter board with CFast socket adapter board (DB-3CFAST)

## Ordering Information

Model Number	Description/Configuration
<b>Processor Blades</b>	
cPCI-3971/655L/M4G	1-slot (4HP) 3U CompactPCI® PlusIO Blade with Intel® i7-2655LE processor and 2x 2GB DDR3-1333, 2x GbE, VGA, 2x USB, CF
cPCI-3971G/655L/M8G	2-slot (8HP) 3U CompactPCI® PlusIO Blade with Intel® i7-2655LE processor and 2x 4GB DDR3-1333, 2x GbE, VGA, 4x USB, KB/MS, COM, 2x DP, SATA, CF (one DP to DVI cable is included)
cPCI-3971Q/715Q/M8G	2-slot (8HP) 3U CompactPCI® PlusIO Blade with Intel® i7-2715QE processor and 4x4GB DDR3-1333, 2xGbE, VGA, 2xUSB, CF

### Accessories

DB-3CFAST	CFast socket adapter board
DP-DVI cable*	DisplayPort to DVI adapter cable
DP-VGA cable	DisplayPort to VGA adapter cable
DP-HDMI cable	DisplayPort to HDMI adapter cable

Contact us for different CPU, memory, HDD combinations.

\*One DP-DVI cable is included with the cPCI-3970G.